

Fox TM Triple Effect Air Vent + Anti Water Hammer

Din Series for clean water

Bleeding and Venting Air Vent, Fox TM Combination kinetic air release valve provide 3 functions in one:

1. Large air release during filling of the pipeline
2. Small air release under pressurized pipeline
3. Large air intake during draining of the pipeline

Fox TM Cast Steel Series Air Vent is a release valve, single chamber, triple function with an advanced design with simple mechanism, strong float made in SS316 to prevent cracking during sudden water hammer & quick closure. Aero kinetic mechanism to resist blow shut under higher air velocity even up to sonic velocity of air.

During pipe filling it is necessary to discharge as much air as water flows in. FOX TMAir Vent will make sure to perform this task allowing the release during hard working conditions.

Following Archimedes' principle, the float, no longer sustained by water thrust, falls down to free the nozzle hole helping the release of the air pocket, while the upper disk closes the main orifice due to internal pressure. FOX TM avoids the air entrance thanks to a special system, composed of a spring, float and o-ring, whose high sensitivity and accuracy allows the air discharge with a DP across the valve between 0,03 and 0,05 bar.

Features:

- A) **Three** function in one design + Anti Water Hammer
- B) **Body made in long lasting** A216 WCB Cast Steel
- C) **Standard epoxy** coating suitable for highly aggressive environments (Epoxy paint).
- D) **Standard trim** and floating ball made in stainless steel SS316 CF8M
- E) **Standard NBR seat suitable** for oil, petrol and water
- F) **Standard outside** screen for safety and prevent insects or birds in.
- G) **No arms or levers** to prevent vibrating, bending, direct closure of the float.
- H) **Suitable for drinking water**, irrigation and clean water.
- I) **Maintenance** can be easily performed from the top without removing the air valve from the pipe.
- J) **Reduces** pressure drop

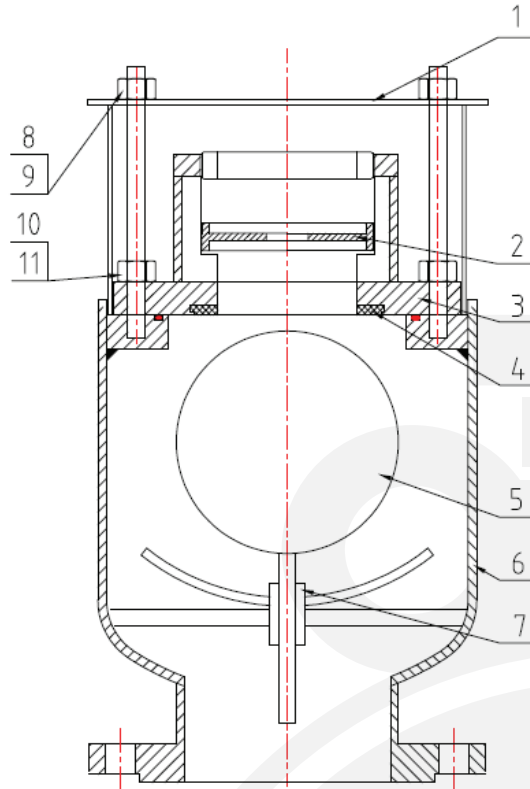


Technical Data

1. Size range: DN100~DN200
2. Pressure ratings: PN16 / PN25
3. Working temperature: -29°~ +80°C.
4. Suitable Medium: drinking water, clean water, and non-corrosive fluids without solid particles.
5. Body Material: GGG40 / ASTM A5366. Standard Trim Material: SS316 CF8M
6. Standard Seat: NBR
7. Standard Floating ball: SS316 CF8M

Performance Standard

1. Design & Manufacture standard as to: ASME B31.3
ASME B16.34
2. Height dimension (H) standard as to: MFR-STD
3. Flange dimension conforms as to: BS EN 1092
4. Testing And Inspection as to: API 598
5. Pressure-temperature conforms as to: ASME B16.34
6. Anti Corrosion as per NACE MR-0175(2002) requirement



Part List:

Fox Air Vent Din Series

| No. | Part Name | Material | Standard |
|-----|---------------------|-----------------|------------|
| 1. | Cap | F304 | ASTM A182 |
| 2. | Restriction Orifice | F316 | ASTM A182 |
| 3. | Cover | GGG40 | DIN 1693-1 |
| 4. | Seat | NBR | BNS-D00040 |
| 5. | Floating Ball | SS316 | ASTM A276 |
| 6. | Body | GGG40 | DIN 1693-1 |
| 7. | Buffer bracket | SS316 | ASTM A276 |
| 8. | Bolt | B7 (Galvanized) | ASTM A193 |
| 9. | Nut | 2H (Galvanized) | ASTM A194 |
| 10. | Bolt | B7 (Galvanized) | ASTM A193 |
| 11. | Nut | 2H (Galvanized) | ASTM A194 |

Fox Air Vent Din Series Main Dimensions:

DIN PN16 RF

Large dimension standard conforms as to: BS EN 1092

| NPS | H | D | D1 | D2 | S | N-Φ | f | Weight (Kg) |
|--------|-----|-----|-----|-----|----|--------|---|-------------|
| 2" | 350 | 165 | 125 | 102 | 20 | 4-Φ18 | 3 | 21 |
| 2 1/2" | 380 | 185 | 145 | 122 | 20 | 8-Φ18 | 3 | 27 |
| 3" | 380 | 200 | 160 | 138 | 20 | 8-Φ18 | 3 | 29 |
| 4" | 400 | 220 | 180 | 158 | 22 | 8-Φ18 | 3 | 38 |
| 6" | 480 | 285 | 240 | 212 | 24 | 8-Φ22 | 3 | 45 |
| 8" | 620 | 340 | 295 | 268 | 26 | 12-Φ22 | 3 | 74 |

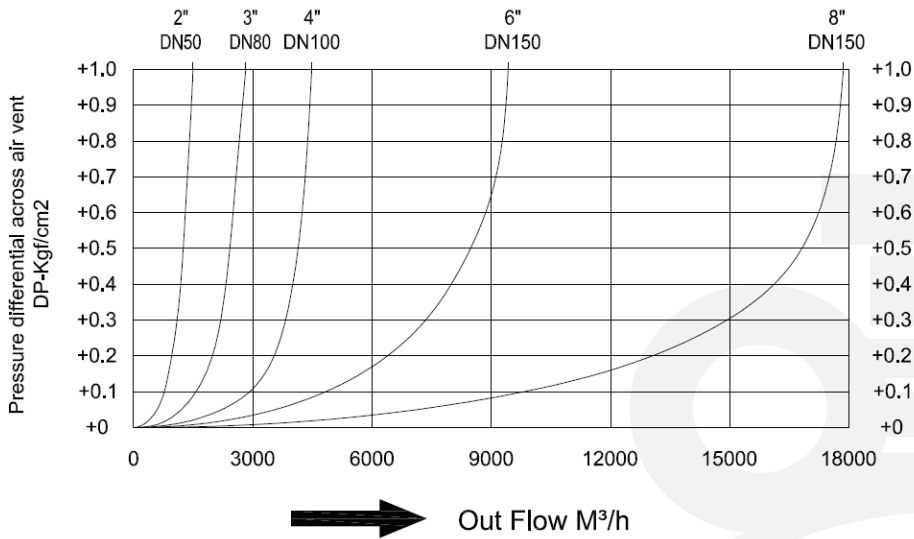
DIN PN25 RF

Large dimension standard conforms as to: BS EN 1092

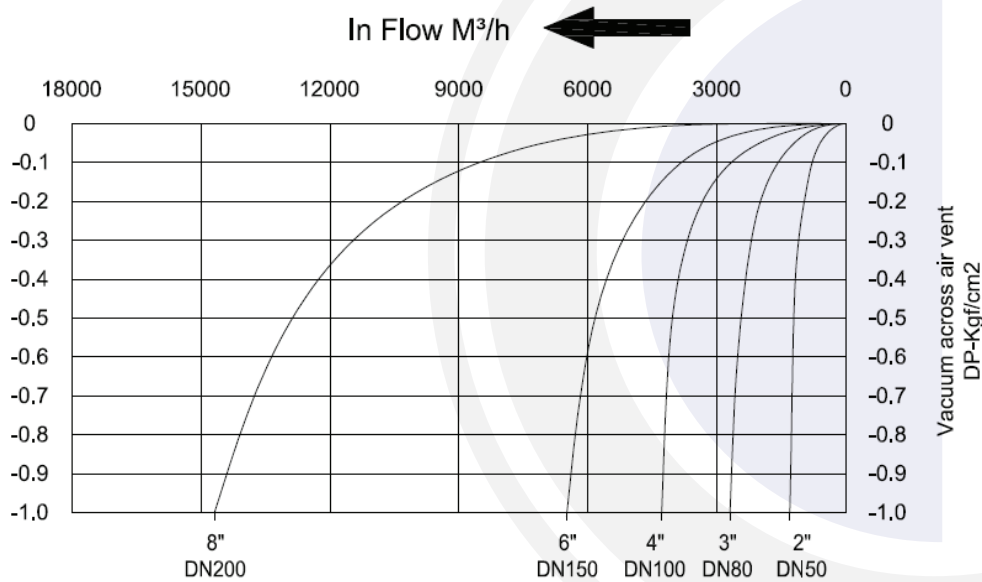
| NPS | H | D | D1 | D2 | S | N-Φ | f | Weight (Kg) |
|--------|-----|-----|-----|-----|----|--------|---|-------------|
| 2" | 350 | 165 | 125 | 102 | 20 | 4-Φ18 | 3 | 21 |
| 2 1/2" | 380 | 185 | 145 | 122 | 22 | 8-Φ18 | 3 | 27 |
| 3" | 380 | 200 | 160 | 138 | 24 | 8-Φ18 | 3 | 29 |
| 4" | 400 | 220 | 180 | 158 | 26 | 8-Φ18 | 3 | 38 |
| 6" | 480 | 285 | 240 | 212 | 30 | 8-Φ26 | 3 | 45 |
| 8" | 620 | 340 | 295 | 268 | 32 | 12-Φ26 | 3 | 74 |

FOX™ Din Series Graphics

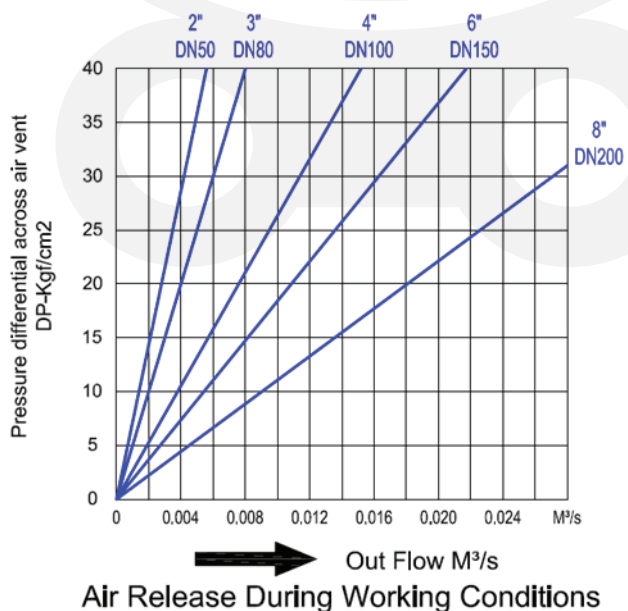
Fox™ Discharge flow rate capacity, by size:



Fox™ vacuum flow rate, by size:



Fox™ automatic air flowing out capacity, at high pressure, by size



ORDERING CODE:

Example: FOXDIN-23-16-50

Model: Fox Air Vent Din PN16
Standard GGG40 Body + Blue Epoxy
SS316 CF8M Trim and floating ball
NBR Buna Seat and O'Ring
Flanged End PN16
SIZE: DN50

Available Trim and Floating ball Material Code:

SS304 CF8 Stainless Steel: 1
SS316 CF8M Stainless Steel: 2
SS316L CF3M Stainless Steel: 3

Available Seat and O'Ring Material Code:

Viton: 1
EPDM: 2
NBR Buna: 3

Available Size Code:

2": 50
3": 75
4": 100
5": 125
6": 150
8": 200